

# Wedge Indoor



WALL

## SPECIFICATION SHEET

### Wedge Indoor



#### Model 2537

#### Type

W Wall

#### Size

12	12.2" [311mm]
24	24.1" [612mm]
48	48.0" [1219mm]
72	72.0" [1829mm]
96	96.0" [2,438mm]

#### Custom

For customized shapes, please include a layout drawing or advise desired length

#### Wattage <sup>1,2</sup>

L	3 W/ft (400 lm/ft)
	10 W/m (1,335 lm/m)
M	6 W/ft (743 lm/ft)
	20 W/m (2,475 lm/m)

#### Color Temp <sup>3</sup>

30	3000
35	3500
40	4000

#### Voltage

2 220/240 Volt

#### Driver

RD Remote

#### Control - RD

S	Non-dim
D010	0-10V
DALI	DALI
SWD	SwitchDIM

#### Diffuser

SA Satin clear acrylic

#### Finish

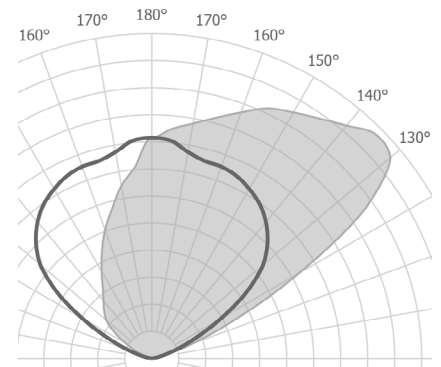
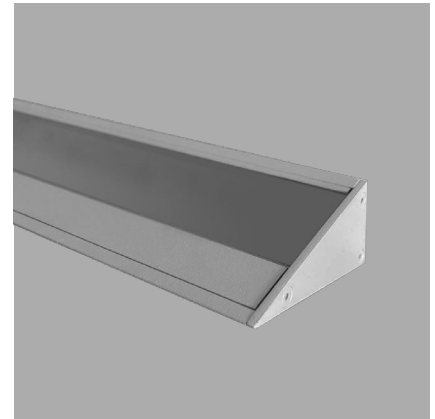
19	Painted anodized aluminum - RAL 9006 matte
21	Painted white - RAL 9010 matte
26	Painted black - RAL 9005 matte
22	Painted custom color

#### Notes

- 1 Nominal lumens value specified
- 2 Linear LED board, constant voltage 24 Volt
- 3 90+ CRI standard

#### Example fixture number:

2537 - W - 48 - L - 30 - 2 - RD - S - SA - 19



# Wedge Indoor

## WALL

Wedge Indoor is an ultra-small scale linear product that delivers low-angle, smooth patterned light to an adjacent surface. Perfect for wall mounting with indirect lighting, the Wedge delivers light evenly distributed to the ceiling, in a forward distribution that is nearly horizontal to the top of the fixture. As a ceiling mounted, the Wedge can be mounted close to the wall and deliver an even wash of light to the wall surface.



Size	
12	12" [305mm]
24	24" [610mm]
48	48" [1,219mm]
72	72" [1,829mm]
96	96" [2,438mm]
Custom	



- \* 43mm x 83mm extruded aluminum profile
- \* Precise length production according to specifications
- \* Fixture is ADA compliant

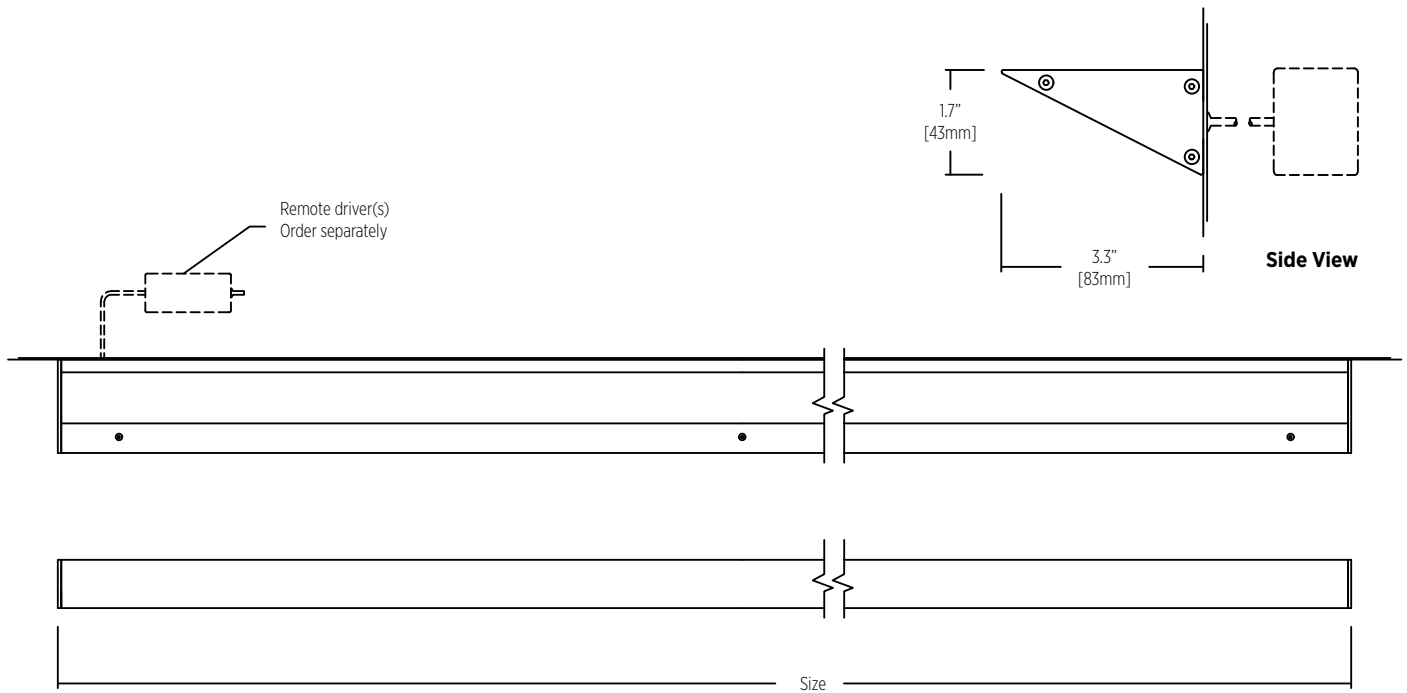
# Wedge Indoor

WALL

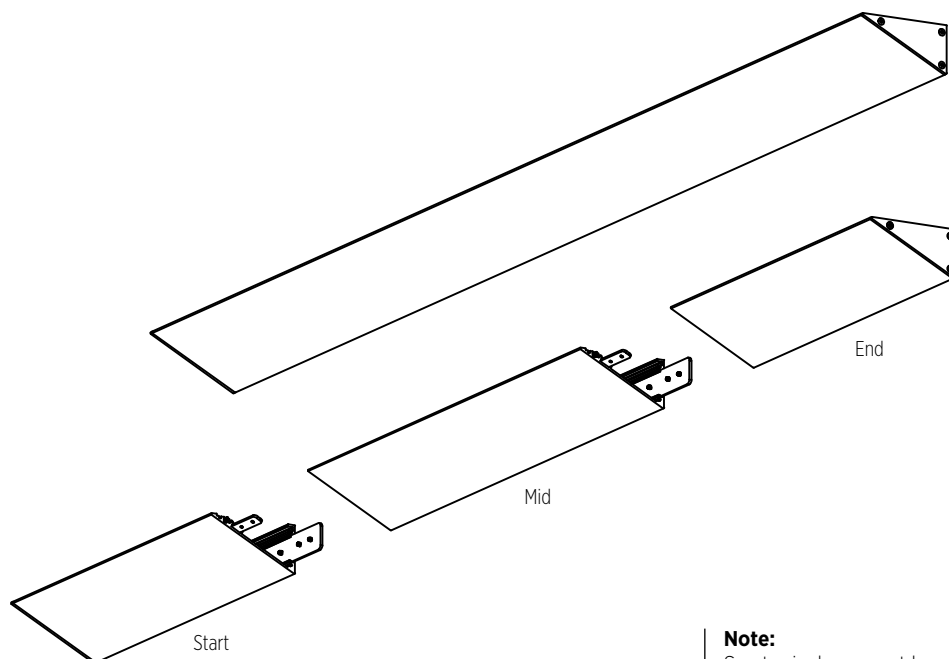


## SPECIFICATION SHEET

Wedge Indoor



### Continuous configuration



**Note:**  
See typical segment lengths and specify

# Wedge Indoor

WALL



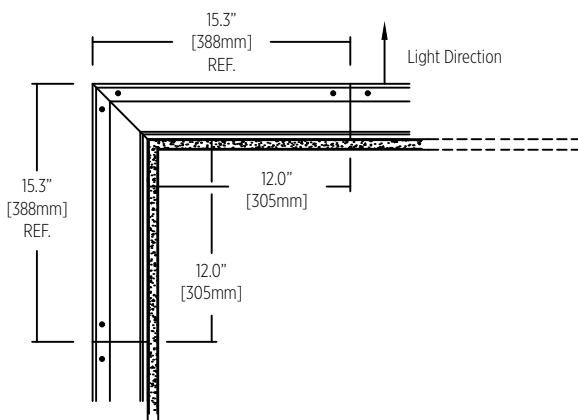
## SPECIFICATION SHEET

Wedge Indoor

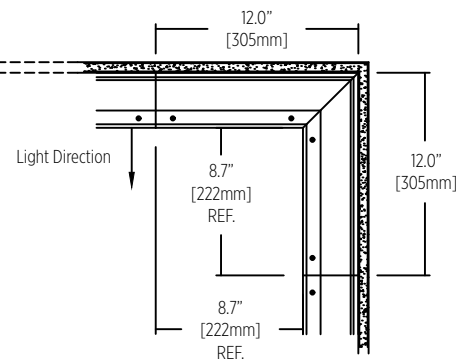


### PLAN

Outside Corner "Raft"

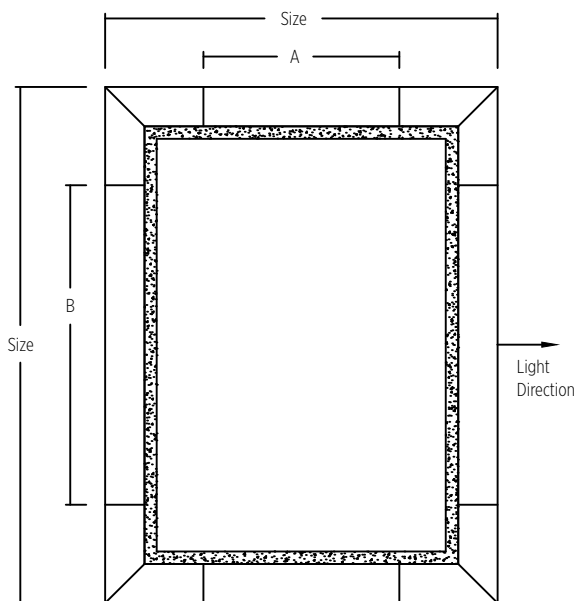


Inside Corner "Coffer"



### EXAMPLE REFLECTED PLAN

Outside Corner



Inside Corner

